

CAL-ROYAL PRODUCTS, INC.

PIONEER - Series

Instructions For Installing SL-Series Lever Handle Sets

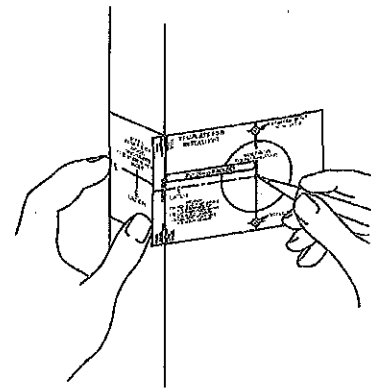
NOTE : Accurate door preparation is essential for proper functioning of this lock. Follow template and instructions carefully.

SL SERIES ARE PACKED UNASSEMBLED INSIDE BOX FOR CONVENIENCE & QUICK INSTALLATION

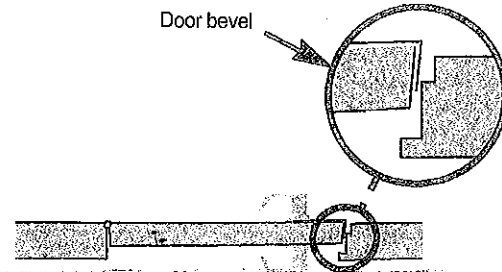
Through- Bolts are provided and recommended for use on high frequency doors.

The anti - sagging mechanism of handle in SL-series lever handle set has a patent pending in the U.S. and foreign countries.

Door and jamb preparation



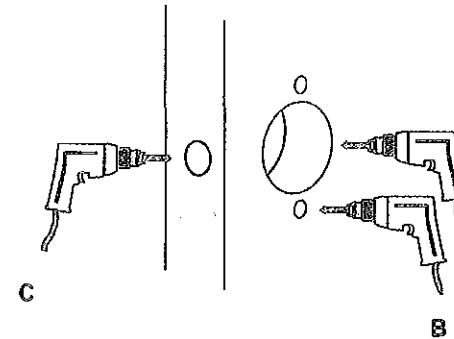
Door bevel



1. Mark door

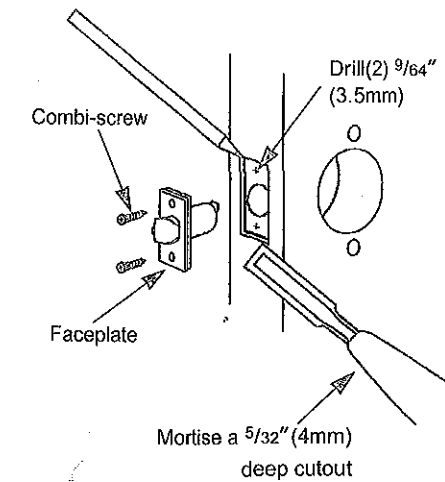
- Check lock for proper backset and body outside through - bolt type before marking.
NOTE : Through- Bolts are provided and recommended for use on high frequency door
- Detach stub.
- Fold template at correct marking for door bevel (high or low bevel, or flat).
- Position template at correct height (recommended height for centerline is 38" (97cm) from floor).
- Mark center for 2 1/8" (54mm) hole.
- Also mark for (2) 5/16" (8mm) holes for through-bolt type.
NOTE : Do not mark (2) 5/16" holes for locks No through-bolt type.
- Use stub to mark center of door thickness.
HINT : For retrofitting existing lock holes, fold template in half to position for the mounting screws.

2. Drill holes



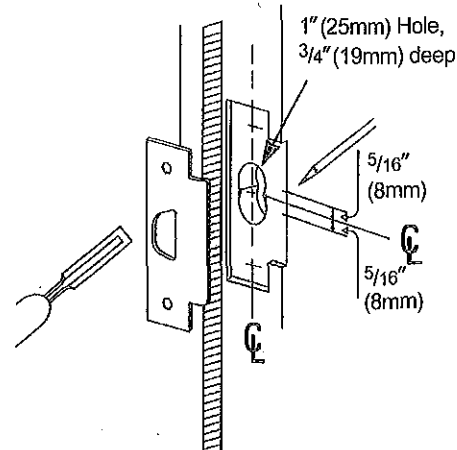
- Drill a 2 1/8" (54mm) hole through door (from both sides to avoid damaging door).
- Drill (2) 5/16" (8mm) holes for through bolt
NOTE : Do not drill the (2) 5/16" (8mm) holes for locks No through - bolt type
- Drill a 1" (25mm) or 7/8" (22mm) (depending on latch housing diameter) in door edge.

3. Install latch

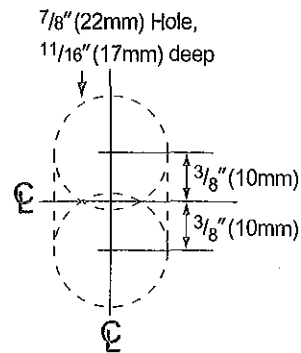


- Insert latch into hole. Trace around faceplate
- Chisel out wood until faceplate fits flat with door edge.
- Drill (2) 9/64" (3.5mm) holes and secure latch unit with combi-screws supplied.
- Fasten latch to door so that beveled side of latchbolt faces jamb.

4. Install strike



ASA Strike - Standard



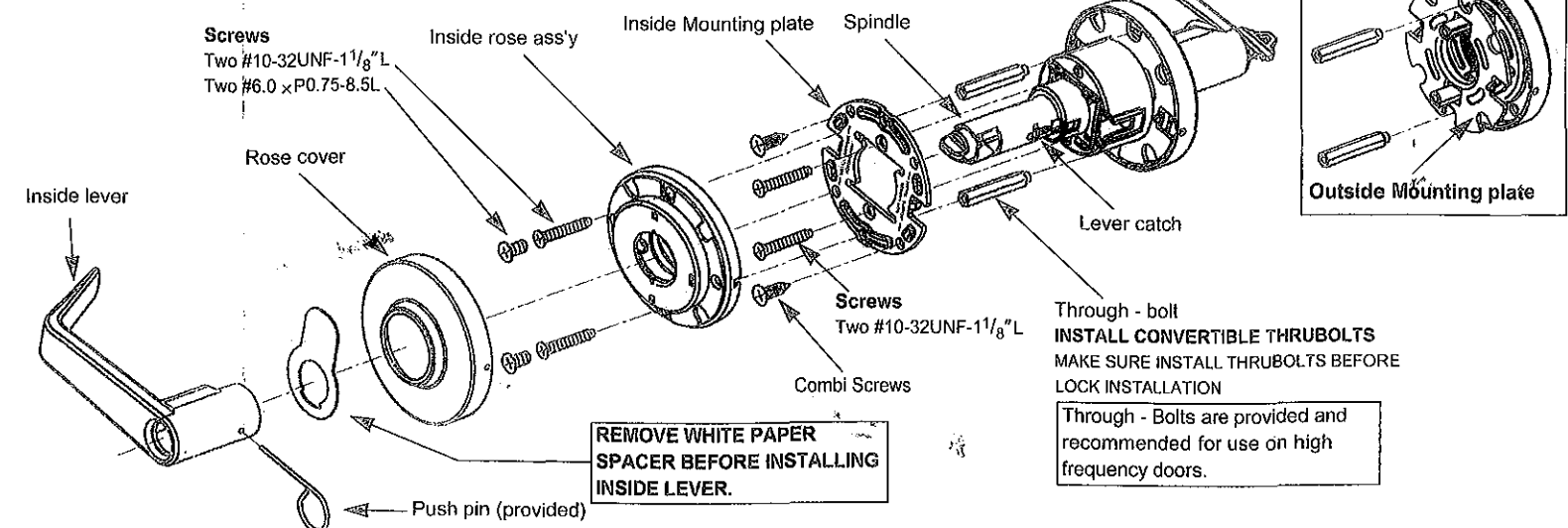
T Strike

- Mark vertical line and heightline on jamb exactly opposite center of latch hole.
- Drill (2) 1" (25mm) holes, 3/4" (19mm) deep, 5/16" (8mm) above and below heightline.
- Use strike plate to pattern for cutout. Clean out hole and install strike.

- Mark vertical line and heightline on jamb exactly opposite center of latch hole.
- Drill (2) 7/8" (22mm) holes, 1 1/16" (17mm) deep, into doorjamb as shown.
- Mortise a cutout for the strike. Use strike as a pattern for the mortise.
(Strike should fit flush with the doorjamb.)

Lock Installation

Must use "M6.0 x P0.75-8.5L" If thru bolts is not installed.
Must use "#10-32UNF-1 1/8" L" (packed with convertible thru bolt) in installing convertible thru bolt.



- Disassemble inside lever.
- Disassemble inside rose assembly.
- Disassemble inside mounting plate.

5. Disassemble inside trim

- Insert the convertible thrubolts (provided 2pcs additionally) into the tapping holes for convertible thrubolts in the outside rose ass'y.

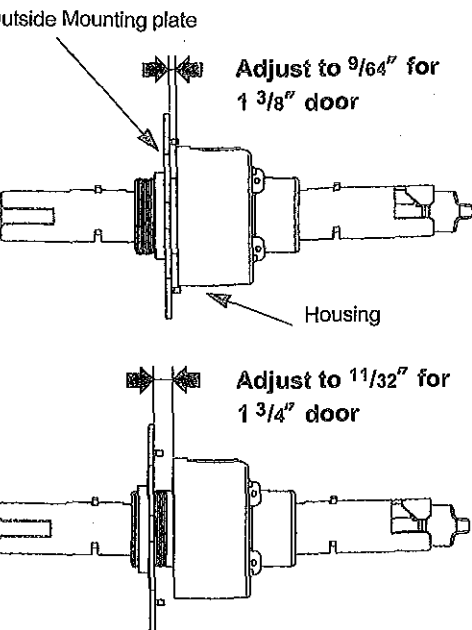
**Through - bolt
INSTALL CONVERTIBLE THRU BOLTS
MAKE SURE INSTALL THRU BOLTS BEFORE
LOCK INSTALLATION**

Through - Bolts are provided and recommended for use on high frequency doors.

Adjust for door thickness

LOCKSET IS FACTORY PRESET FOR 1 3/4" (45mm) DOORS.

See step 6. to center chassis in door or to change adjustment of other door thicknesses.



It can be adjusted for door thickness range from 1 3/8" to 1 3/4"

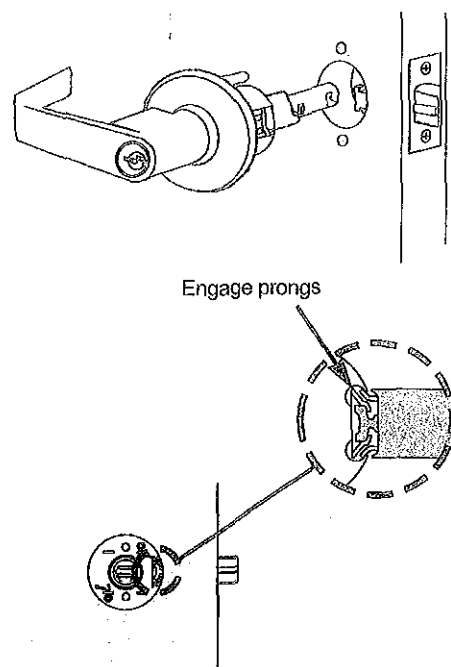
For adjustment of door thickness, follow step 11, then :

- Adjust outside mounting plate for proper door thickness. At final position, the screw post hole must be in line with holes in lockbody.
- Slide outside rose ass'y with rose cover onto spindle with the wider notch at inside diameter in line with lever catch. The screw posts will enter the holes pre-aligned between outside mounting plate and lockbody.

NOTE : See Step 11. must be done if you have to make adjustments for door thickness

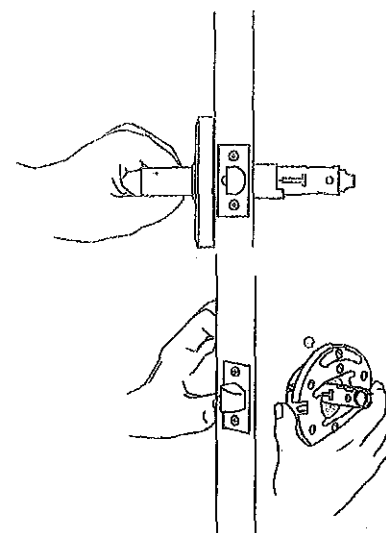
ADJUSTMENT FOR DOOR THICKNESS

7. Install outside lock unit

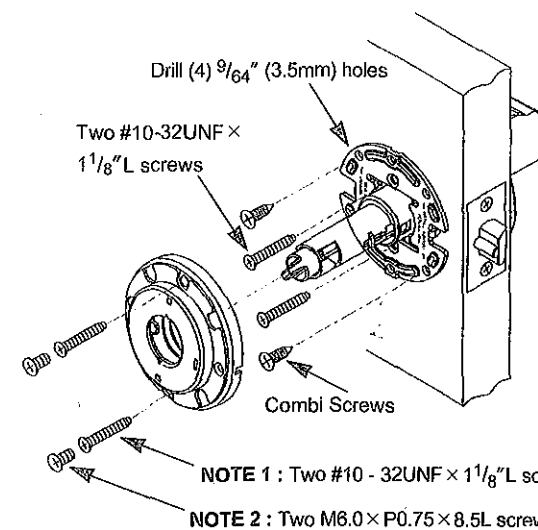


IMPORTANT : Place outside lock unit into position. Make sure that latch prongs engage chassis housing, and latch retractor engages latch bar.

8. Install Mounting plate.



CAUTION : When using power screwdriver for installation, set to minimum torque setting.



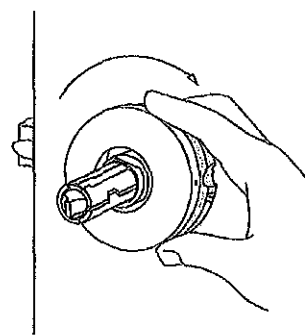
- Hold outside unit in place.
- Put mounting plate into position on chassis.
- Place mounting plate. Tighten it to lock body with two #10 - 32UNF x 1 1/8" L screws
- Drill (4) 9/64" (3.5mm) holes and secure the mounting plate with four combi-screws supplied.
- Place inside rose ass'y. Tighten it to lock body with screws supplied.

THIS MUST BE DONE TO FIRMLY ANCHOR LOCK TO DOOR

NOTE 1 : Two #10 - 32UNF x 1 1/8" L (★) screws can be used for outside through - bolt type only.

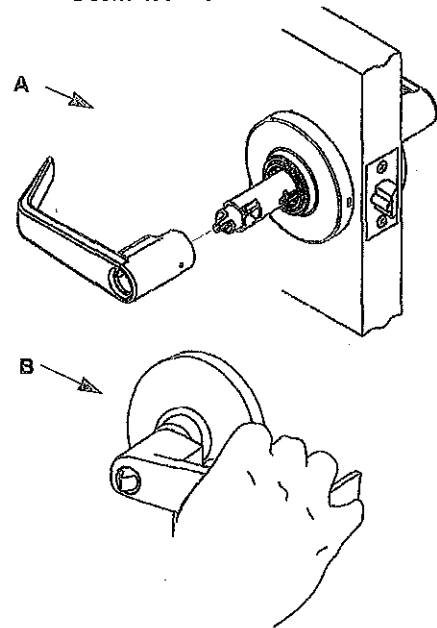
NOTE 2 : Two M6.0 x P0.75 x 8.5L screws can be used for no through - bolt type only.

9. Install inside rose assembly



Align dimples on rose with grooves in inside rose assembly.
Place rose against door and rotate clockwise until dimples snap into slots next to the grooves.

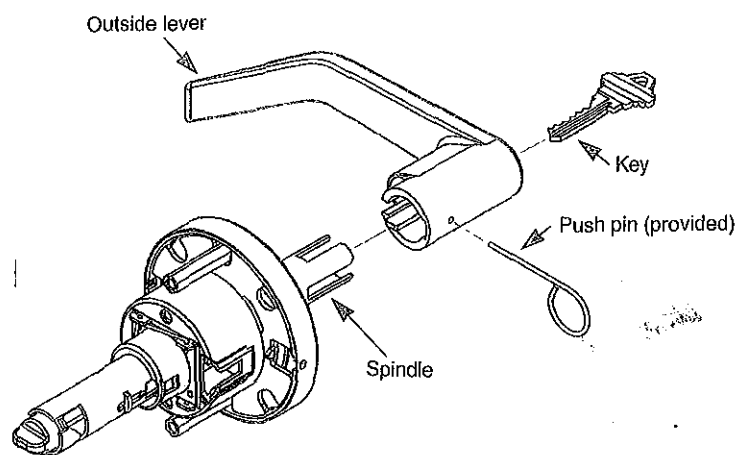
10. Install inside lever



- Slide inside lever onto spindle. Push lever completely into place. (Pull on lever to make sure that catch is fully engaged.)
- Test operation of lock to make sure you have followed instructions correctly.

How to remove & reassemble outside lever

11. Remove outside lever



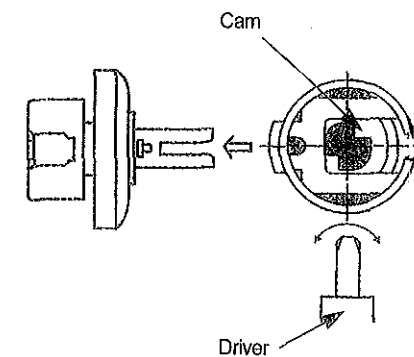
- Insert key into cylinder. Insert push pin (or similar tool) into hole in lever. Turn key one - quarter turn and push tool (push pin) to depress lever catch. Slide the lever from spindle.

12. Reassemble outside lever

Reverse Step 11 to reassemble levers.

- To reassemble. Put a cylinder and key in lever.
- Push cylinder further in until it engages retractor.
- Turn key 90° clockwise and hold a key.
- Depress lever catch and push lever (Not key) in until it clicks then release a key.

CAUTION FOR CLASSROOM FUNCTION



Make sure to turn cam anti - clockwise by driver as far as it will go before reassembling of cylinder to prevent mis-positioning of cam for classroom function.

NOTE : Do not make the holes for locks without outside through-bolt type

